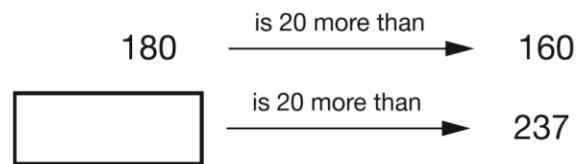


**2015 Paper 2 Question 1**

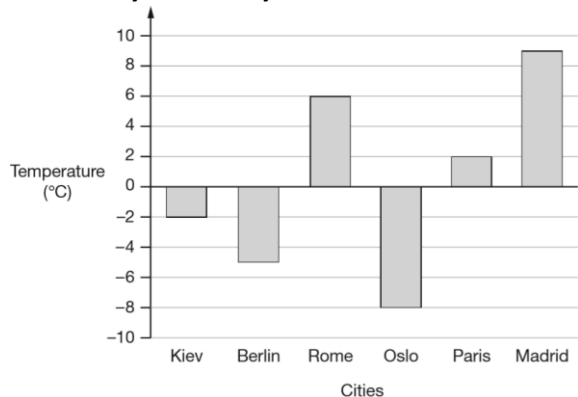
Write the missing number. One is done for you.

**2015 Paper 2 Question 2**

A pack of paper has 150 sheets.  
4 children each take 7 sheets.  
How many sheets of paper are left in the packet?

**2015 Paper 2 Question 3**

This graph shows the temperature in six cities on one day in January.



Which city was 4 degrees warmer than Kiev?

What was the difference between the temperature in Oslo and the temperature in Berlin?

**2015 Paper 2 Question 4**

Match each shape to its equivalent fraction.

	<input type="text" value="7/10"/>
	<input type="text" value="3/5"/>
	<input type="text" value="1/2"/>
	<input type="text" value="4/5"/>
	<input type="text" value="3/10"/>

**2015 Paper 2 Question 5**

What is 444 minutes in hours and minutes?

hours  minutes

**2015 Paper 2 Question 6**

Stefan's watch shows five minutes past nine.  
The watch is twelve minutes fast.  
What is the correct time?

**2015 Paper 2 Question 7**

In the circles, write a multiple that belongs to each set. One has been done for you.

<input type="text" value="numbers from 1 to 99"/>	$\xrightarrow{\text{multiple of 10}}$	<input type="text" value="50"/>
<input type="text" value="numbers from 101 to 199"/>	$\xrightarrow{\text{multiple of 20}}$	<input type="text"/>
<input type="text" value="numbers from 201 to 299"/>	$\xrightarrow{\text{multiple of 30}}$	<input type="text"/>
<input type="text" value="numbers from 301 to 399"/>	$\xrightarrow{\text{multiple of 40}}$	<input type="text"/>

**2015 Paper 2 Question 8**

Maria bakes cakes and sells them in bags. She uses this formula to work out how much to charge for one bag of cakes.  
Cost = number of cakes  $\times$  20p + 15p for the bag  
How much will a bag of 12 cakes cost?

Olivia buys a bag of cakes for £5.15  
Use the formula to calculate how many cakes are in the bag.

**2015 Paper 2 Question 11**

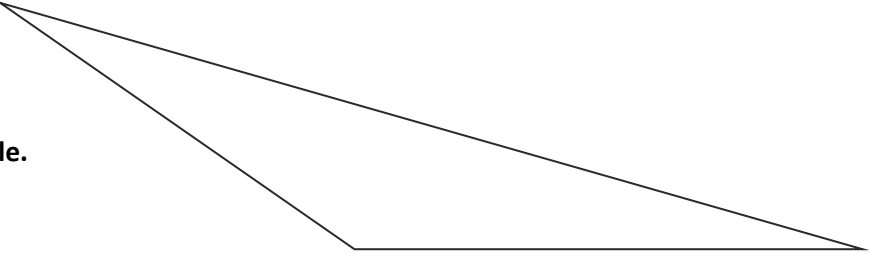
Here is a number written in Roman numerals.  
CXV  
Write the number in figures.

**2015 Paper 2 Question 12**

What number is halfway between 1.4 and 2.1?

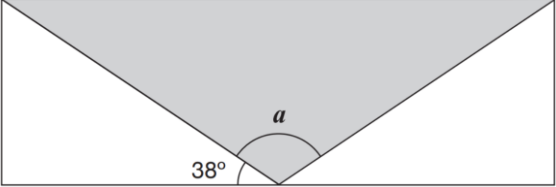


**2015 Paper 2 Question 9**  
 Measure the shortest side accurately, in centimetres.  
 Measure the largest angle.



**2015 Paper 2 Question 14**  
 Round 124,531  
 to the nearest 10,000 \_\_\_\_\_  
 to the nearest 1,000 \_\_\_\_\_  
 to the nearest 100 \_\_\_\_\_

**2015 Paper 2 Question 15**  
 A shaded isosceles triangle is drawn inside a rectangle.  
 Calculate the size of angle a.



**2015 Paper 2 Question 16**  
 Large pizzas cost £8.50 each.  
 Small pizzas cost £6.75 each.  
 Five children together buy one large pizza and three small pizzas.  
 They share the cost equally.  
 How much does each child pay?

**2015 Paper 2 Question 20**  
 On Saturday Lara read  $\frac{2}{5}$  of her book.  
 On Sunday she read the other 90 pages to finish the book.  
 How many pages are there in Lara's book?

**2015 Paper 2 Question 10**  
 Write the two missing digits to make this long multiplication correct.

$$\begin{array}{r}
 \phantom{\times} \phantom{0} \phantom{0} \phantom{0} \phantom{0} \\
 \phantom{\times} \phantom{0} \phantom{0} \phantom{0} \phantom{0} \\
 \times \phantom{0} \phantom{0} \phantom{0} \phantom{0} \phantom{0} \\
 \hline
 2 \phantom{0} \phantom{0} \phantom{0} \phantom{0} \phantom{0} \\
 8 \phantom{0} \phantom{0} \phantom{0} \phantom{0} \phantom{0} \\
 \hline
 1 \phantom{0} \phantom{0} \phantom{0} \phantom{0} \phantom{0}
 \end{array}$$

**2015 Paper 2 Question 17**  
 Seven children measured their heights.

Children	Height (cm)
Stefan	144
Lara	136
Olivia	142
Chen	143
Maria	152
Dev	148
Sarah	150

What is the mean height of the children?

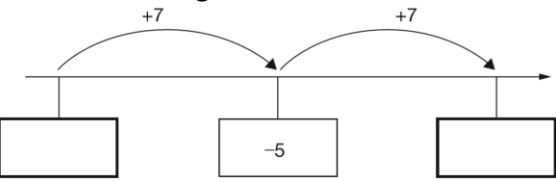
**2015 Paper 2 Question 19**  
 One gram of gold costs £32.94  
 What is the cost of half a kilogram of gold?

**2015 Paper 3 Question 7**  
 Write the number 53,148 in words.

**2015 Paper 3 Question 1**  
 Here is a diagram for sorting numbers.  
 Write one number in each box.

	multiple of 5	not a multiple of 5
multiple of 3	30	
not a multiple of 3		

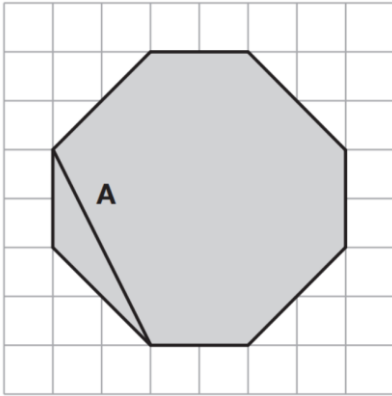
**2015 Paper 3 Question 2**  
 Here is part of a number line.  
 Write the missing numbers in the boxes.



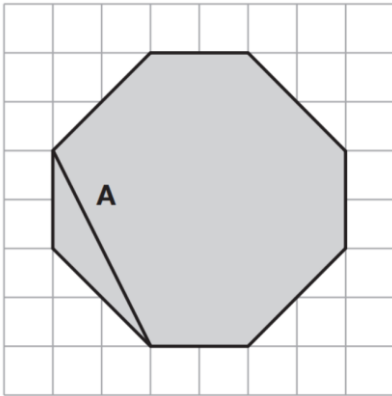


### 2015 Paper 2 Question 13

The diagram shows a shaded octagon on a square grid.  
Line A joins two vertices of the octagon.  
Join two vertices to draw a line perpendicular to line A.

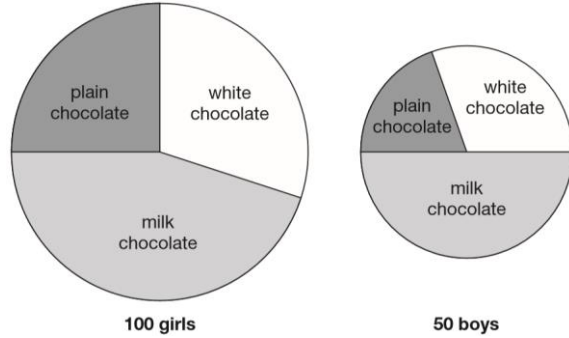


Join two other vertices to draw a line parallel to line A.



### 2015 Paper 2 Question 18

100 girls and 50 boys were asked which kind of chocolate they like best.  
These two pie charts show the results.

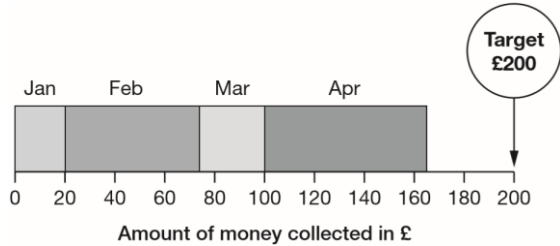


Dev says, "The pie charts show that more girls than boys liked milk chocolate best."  
Dev is correct. Explain how you know.



### 2015 Paper 3 Question 4

A school plans to collect £200 between January and May. This chart shows how much they collected by the end of April.



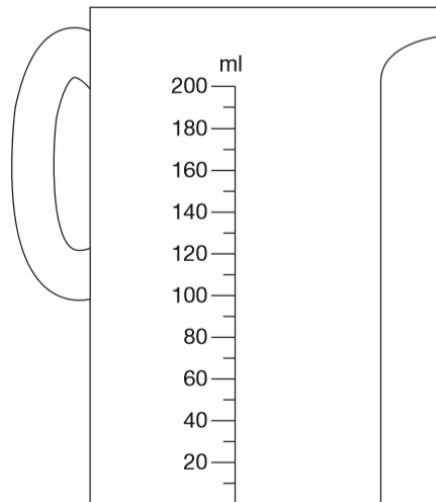
Write the name of each month where they collected more than £50

How much money did they collect in February and March altogether?



### 2015 Paper 3 Question 5

Chen pours 165 millilitres of milk into a measuring jug. Draw an arrow on the jug to show the level of the milk.



### 2015 Paper 3 Question 3

Look at this number.

23,451.96

Write the digit that is in the hundreds place.

Write the digit that is in the hundredths place.



### 2015 Paper 3 Question 10

A bag of 5 lemons costs £1

A bag of 4 oranges costs £1.80

How much more does one orange cost than one lemon?



**2015 Paper 3 Question 6**

Here are six cards.

$\times 10$	$\times 100$	$\times 1000$
-------------	--------------	---------------

$\div 10$	$\div 100$	$\div 1000$
-----------	------------	-------------

Use a card to complete each calculation.

$5.3 \underline{\hspace{1cm}} = 0.53$

$5.3 \underline{\hspace{1cm}} = 5300$

$5.3 \underline{\hspace{1cm}} = 0.053$

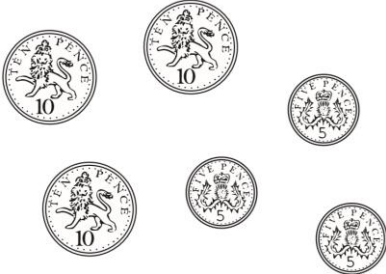
**2015 Paper 3 Question 11**

Write the four missing digits to make this addition correct.

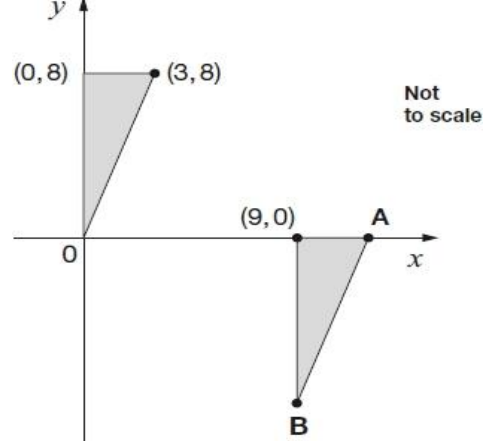
	6		8
+	3		9
<hr/>			
	9	0	1
			9

**2015 Paper 3 Question 9**

The mass of a 10p coin is 6.5g. The mass of a 5p coin is half the mass of a 10p coin.  
What is the mass of these six coins altogether?

**2015 Paper 3 Question 20**

Here are two identical shaded triangles on coordinate axes.  
Write the coordinates of points A and B.

**2015 Paper 3 Question 12**

Two decimal numbers add together to equal 1  
One of the numbers is 0.007  
What is the other number?

**2015 Paper 3 Question 16**

Lara chooses a number less than 100  
She divides it by 3 and then subtracts 11  
She then divides this result by 2  
Her answer is 10.5  
What was the number she started with?

**2015 Paper 3 Question 19**

The area of a rugby pitch is 6,108 square metres. A football pitch measures 112 metres long and 82 metres wide.  
How much larger is the area of the football pitch than the area of the rugby pitch?

**2015 Paper 3 Question 13**

Here are four fraction cards.

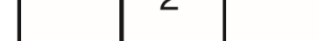
$\frac{3}{4}$	$\frac{5}{8}$	$\frac{6}{12}$	$\frac{7}{16}$
---------------	---------------	----------------	----------------

Use any three of the cards to make this correct.

	<		<	
--	---	--	---	--

**2015 Paper 3 Question 14**

Here is a number pyramid.  
The number in a box is the product of the two numbers below it.  
Write the missing numbers.

**2015 Paper 3 Question 18**

Here are the ingredients for chocolate ice cream.  
cream: 400 ml    milk: 500 ml    egg yolks: 4  
                         chocolate: 120 g    sugar: 100 g  
Stefan has only 300ml of cream to make chocolate ice cream.  
How much chocolate should he use?



**2015 Paper 3 Question 17**  
This model is made with 20 cubes.  
What percentage of the cubes in the model is black?

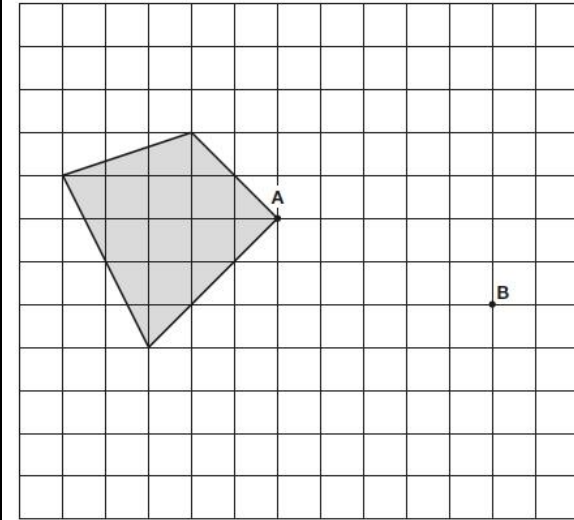




### 2015 Paper 3 Question 8

Here is a shaded shape on a grid. The shape is translated so that point A moves to point B.

Draw the shape in its new position.



### 2015 Paper 3 Question 15

Join dots on the grid to make a quadrilateral that has 3 acute angles.

